



Catalogue
CATERING
Chapter
COOKING

Model
SBE7-10 380-415V 3N 50/60Hz

19007363

30/05/2019

ELECTRIC TILTING BRATT PAN, SBE7-10 I

Made of stainless steel

Pan capacity: 50 litres (approx.).

Surface area: 27 dm²

Stainless steel pan, with heat diffuser bottom 10 mm. thick.

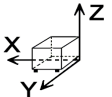
Counterweighted folding lid.

Shielded elements controlled by thermostat. Pilot lights.

Thermostat temperature control (50 °C to 315 °C).

Water filling tap.

DIMENSIONS



X Width	700 mm	X Gross width	740 mm
Y Depth	775 mm	Y Gross depth	915 mm
Z Height	850 mm	Z Gross height	1070 mm
Net Weight	114,0 kg	Gross Weight	130,0 kg
Net volume	0,461 m ³	Gross volume	0,724 m ³

ELECTRICITY TECHNICAL SPECIFICATIONS

Electric power	9,000 kW
Heating power	9,00 kW
Voltage	380-415V - 3N
Amperage	16A
Electric frequency	50/60Hz

WATER TECHNICAL SPECIFICATIONS

Pressure	H2O: 200-400kPa(2-4bar)
----------	-------------------------

CONNECTIONS TECHNICAL SPECIFICATIONS

230 V three-phase wiring	3X4+T - 32 A
Single-phase 230V wiring	2X10+T - 50 A
Three-phase +N 40V wiring	4X1,5+T - 16 A
Cold water 1 diameter	3/4"



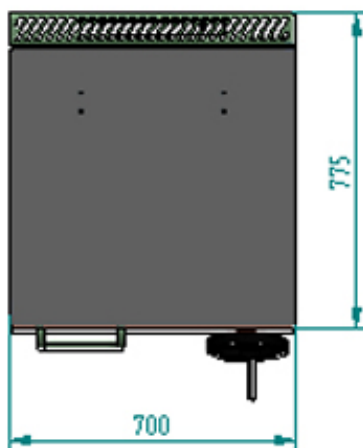
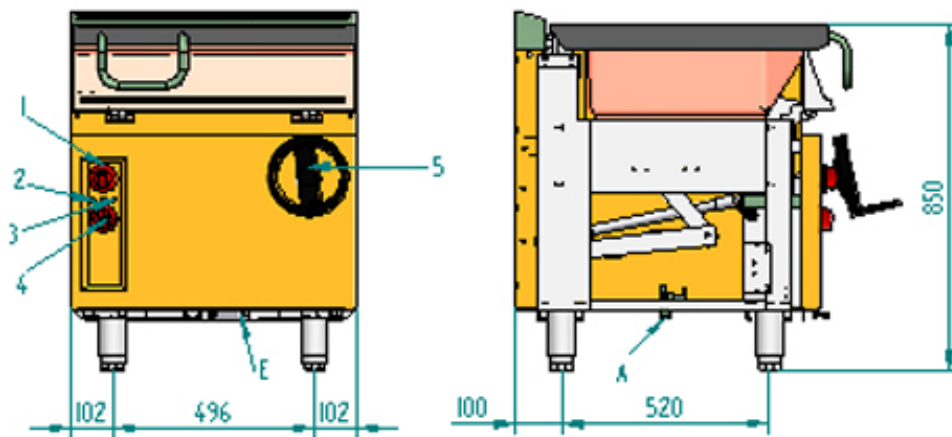
Catalogue
CATERING

Chapter
COOKING

Model
SBE7-10 380-415V 3N 50/60Hz

19007363

30/05/2019



- 1: Grifo de llenado
- 2: Piloto conexión
- 3: Piloto calentamiento
- 4: Termostato
- 5: Manivela de elevación cuba
- E: Conexión eléctrica
- A: Entrada de agua

- 1: Filling cock
- 2: Pilot connection
- 3: Pilot heating
- 4: Thermostat
- 5: Tub raising handle
- E: Electrical connection
- A: Water inlet